

Spiral Stars
To Rail
& Grid

Back Wall { 32' 3" } { 37' Center Line to St Right Wall } { 31' Center Line to St Left Wall } 7' 6" Wide Loading Door USL

- #27 - White Cyc { 29' 0" } →
- #26 - Black Cyc { 27' 9" } →
- #25 - Empty Pipe { 27' 1" } →

- #24 - 4th Electric { 24' 11" } →
- #23 - 4th Legs { 23' 9" } →
- #22 - Black Scrim { 23' 1" } →
- #21 - 4th Border { 22' 6" } →
- #20 - Empty Pipe { 21' 9" } →

- Acoustic Panel #3 { 20' 3" } →
- #19 - 3rd Legs { 19' 10" } →

- #18 - Full Black { 18' 6" } →
- #17 - 3rd Border { 17' 10" } →
- #16 - Empty Pipe { 17' 2" } →

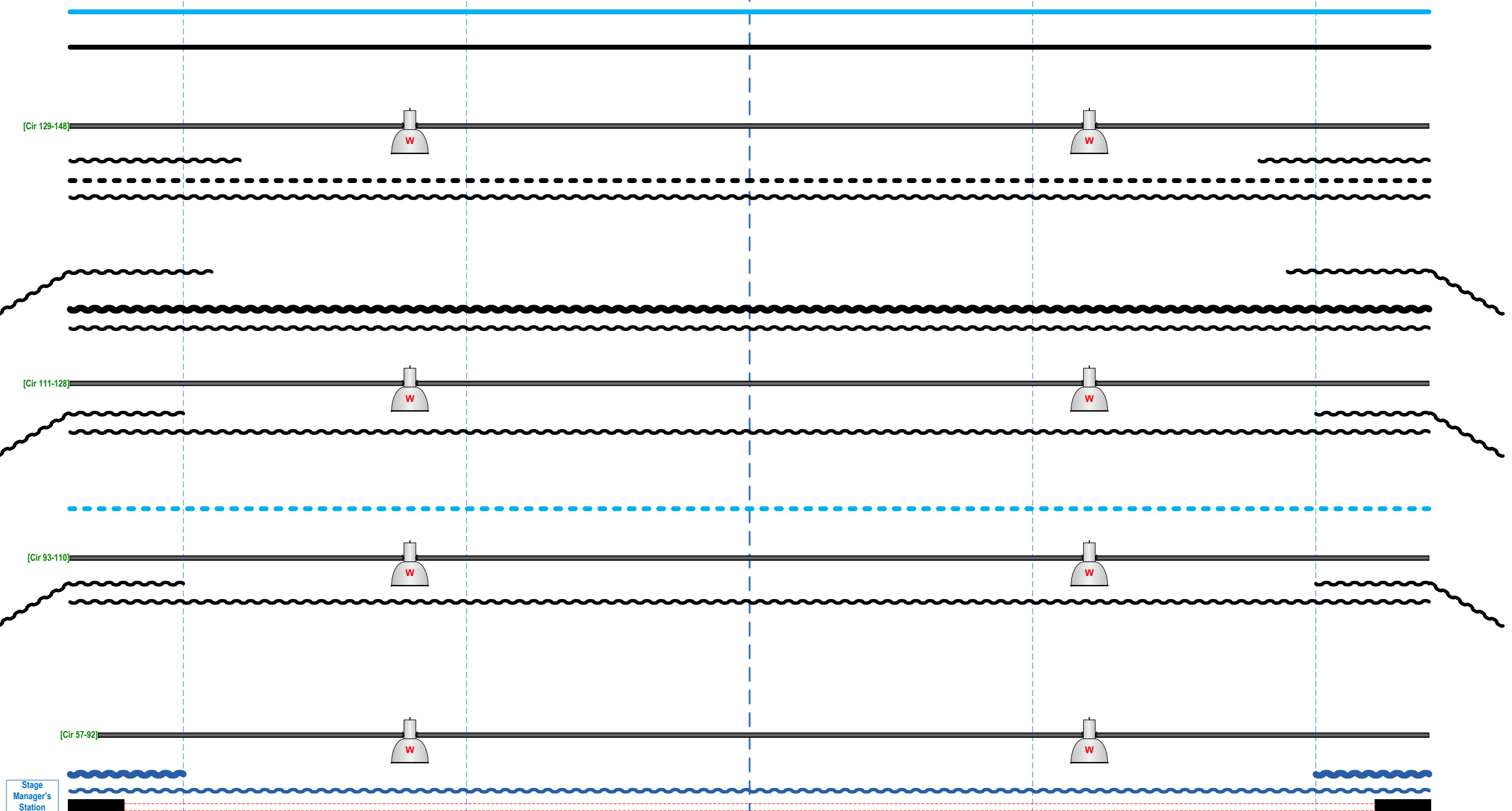
- #15 - 3rd Electric { 15' 10" } →
- #14 - 2nd Legs { 14' 10" } →
- #13 - 2nd Border { 14' 2" } →
- #12 - Empty Pipe { 13' 6" } →

- Acoustic Panel #2 { 12' 8" } →
- #11 - Empty Pipe { 12' 2" } →
- #10 - White Scrim { 11' 6" } →

- #9 - 2nd Electric { 9' 8" } →
- #8 - 1st Legs { 8' 10" } →
- #7 - 1st Border { 8' 2" } →
- #6 - Empty Pipe { 7' 2" } →
- Acoustic Panel #1 { 6' 6" } →
- #5 - Empty Pipe { 5' 8" } →

- Movie Screen { 4' 8" } →
- #4 - 1st Electric { 3' 5" } →
- #3 - Empty Pipe { 2' 4" } →
- #2 - Grand Drape { 2' 1" } →
- #1 - Grand Teaser { 1' 6" } →

100amp
Single
Phase



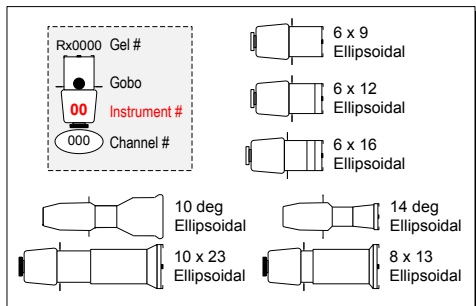
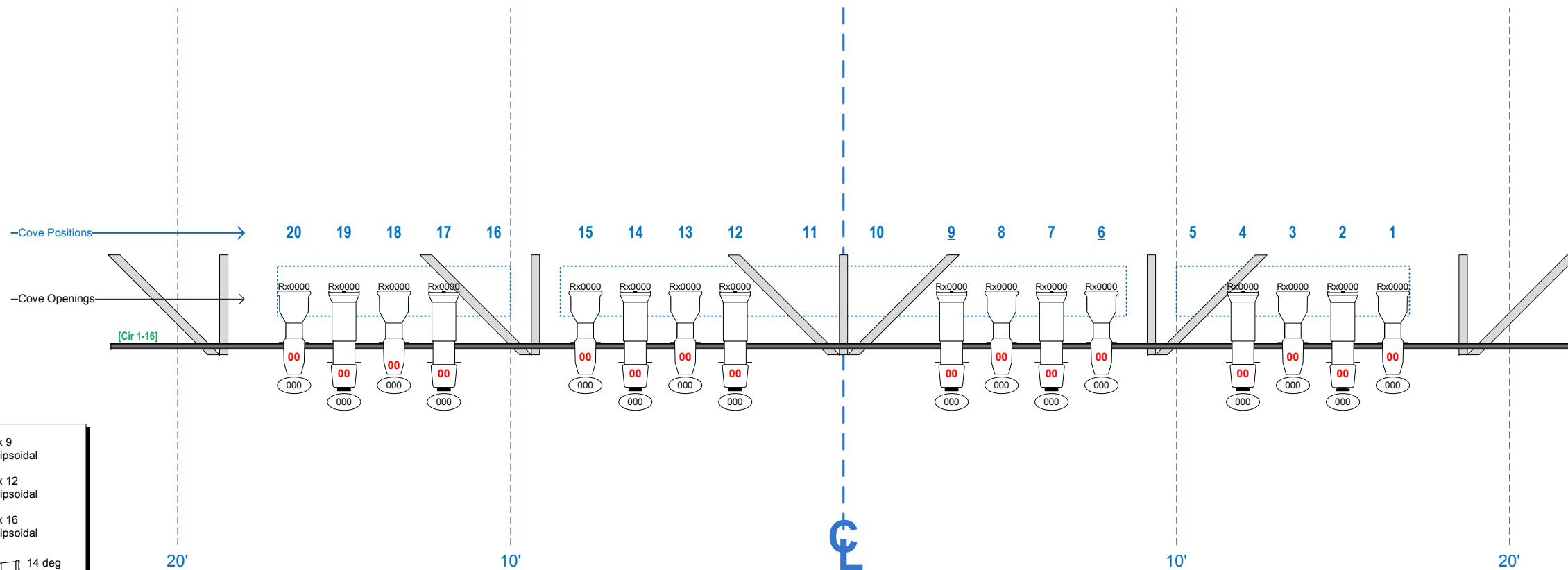
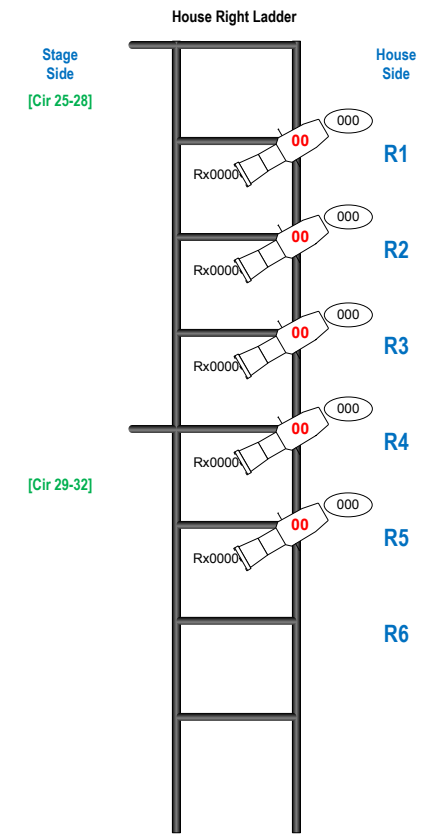
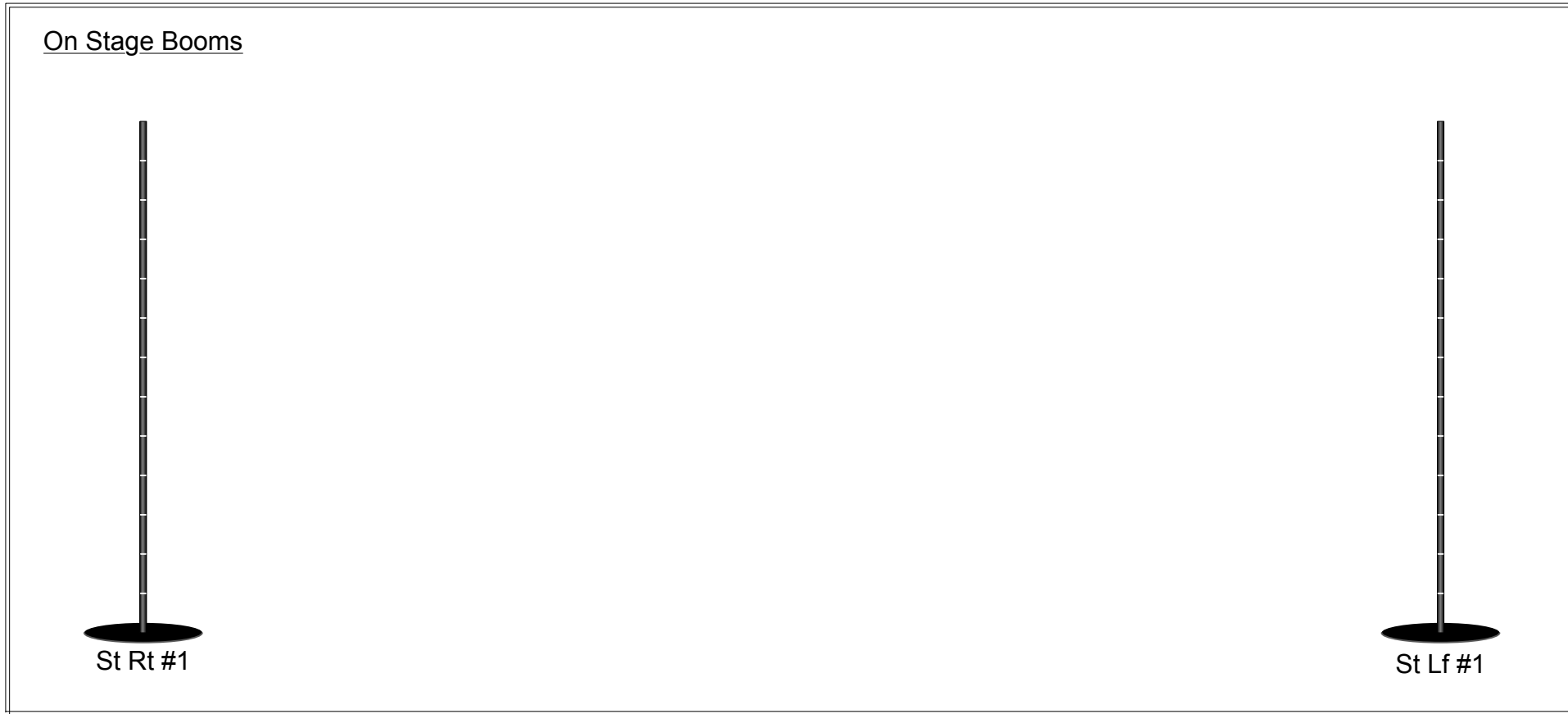
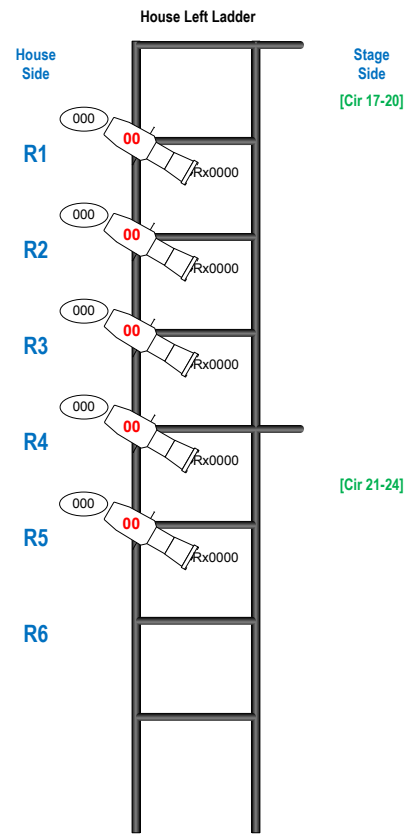
Rx0000 Gel #	6 x 9 Ellipsoidal	6" Fresnel
Gobo	6 x 12 Ellipsoidal	8" Fresnel
Instrument #	6 x 16 Ellipsoidal	Beam Projector
Channel #		Scoop

3 cell Sky Cyc

Approximate Scale: 1/4" = 1'
(if printed on a 17" x 11" page)

Rendering by:
CHANDLER STEWART EVANS
The Gypsycat

20' 10' 10' 20'



Approximate Scale: 1/4" = 1'
(if printed on a 17" x 11" page)



